

60" ANTHEA DOUBLE ACRYLIC ROLL TOP TUB

Cat. No.
ADTR60



L: 60"
W: 30"
H: 24-1/2" (from floor)
18" (from bottom of tub)

Water Depth: 11-1/2" to OF

The following is recommended for ADTR60 tubs

- Tub wall-mounted faucets: #4022, 4025 or 4035
- Double offset bath supplies: Part# 5576
- Leg tub drain: Part# 5599

Do not use with rigid, freestanding supplies

Gallon Capacity: 40
Shipping Weight: 110 lbs.
Empty Weight: 62 lbs.
Filled Weight: 396 lbs.

Features:

- ▶ Inside finish is either white or bisque to match outside color
- ▶ Pre-drilled overflow hole
- ▶ 3-3/8" centers in tub wall
- ▶ Smooth acrylic surface inside and out
- ▶ Cast aluminum ball and claw feet
- ▶ Tubs ship with feet attached and leveled
- ▶ Tubs thoroughly inspected before shipment

Tub Colors

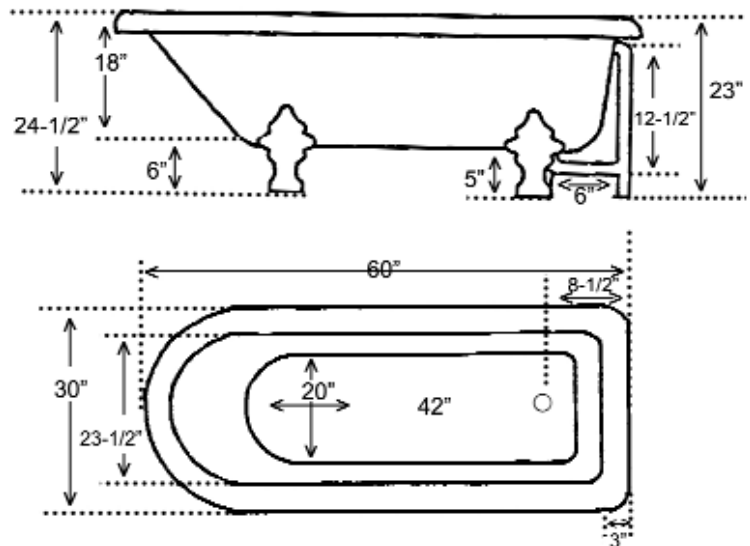
WH White BQ Bisque



Foot Finishes

BQ Bisque	BN Brushed Nickel
BL Black	ORB Oil Rubbed Bronze
PB Polished Brass	PN Polished Nickel
CP Polished Chrome	WH White

Custom Colors Available (inside of tub is always white enamel):
Painted bathtubs are considered "special order" and are not returnable
\$160 Bisque or Black \$250 Designer Color



Dimensions are nominal and specifications subject to change without notice.

TUB WALL-MOUNTED FAUCET WITH HAND SHOWER

Cat. No.

4022



Features:

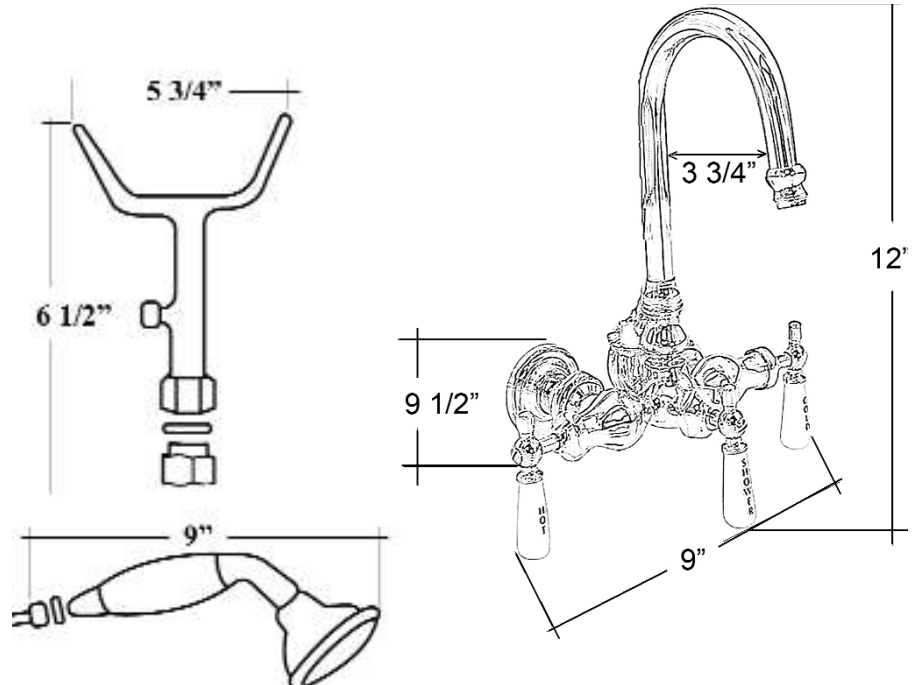
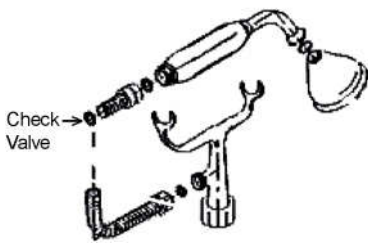
- ▶ Code gooseneck spout
- ▶ Telephone style handheld shower with cradle and 59" hose
- ▶ Backflow preventor in handshower
- ▶ ¼ turn ceramic disc cartridges
- ▶ 3-3/8" centers for tub wall mount installation
- ▶ Centers can be adjusted out to 9" with use of part #4501 (Swivel arms)
- ▶ Flow rate is 3.68 GPM
- ▶ Flow rate for handshower is 1.8 GPM
- ▶ IAPMO approved
- ▶ To be used with double offset bath supplies: part #5576
- ▶ Can be used with freestanding bath supplies Part #4502



W: 9"
D: 9-1/2"
H: 12"

Finishes:

BP	Polished Brass	PN	Polished Nickel
CP	Polished Chrome	ORB	Oil Rubbed Bronze
SN	Brushed Nickel		



Dimensions are nominal and may vary. Dimensions and specifications subject to change without notice.

DOUBLE OFFSET BATH SUPPLIES

Cat.No.
5576



H: 24"

OD: 1/2"

Features:

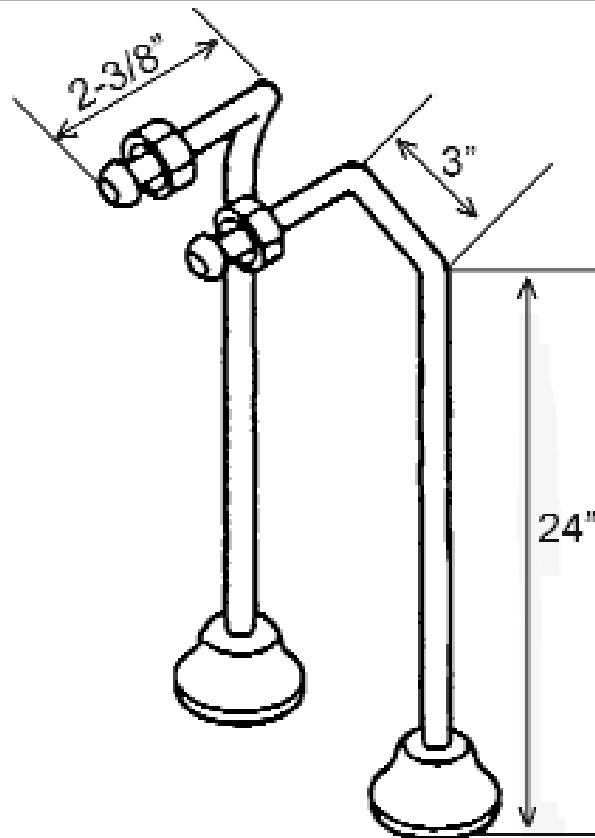
- ▶ For use with faucets mounted to the tub wall
- ▶ No Stops
- ▶ 1/2" Compression inlet
- ▶ 3/4" Compression outlet
- ▶ 0.500" Outer diameter
- ▶ 0.440" Inner diameter
- ▶ 0.030" Thickness of the wall
- ▶ IAPMO approved
- ▶ Available in 5 finishes

Compliance Certification

Meets or exceeds the following specifications: ASME-A112 (and 19.6M) for Vitreous china fixtures. ASME 112.19.9M for fire clay fixtures.

Finishes:

CP	Polished Chrome	PN	Polished Nickel
PB	Polished Brass	BN	Brushed Nickel
ORB	Oil Rubbed Bronze		



Use on concrete floors requires special installation. We recommend using a plumbing professional.

Dimensions and specifications subject to change without notice.

LEG TUB DRAIN

Cat. No.
5599



Escutcheon Height: 1-1/4"

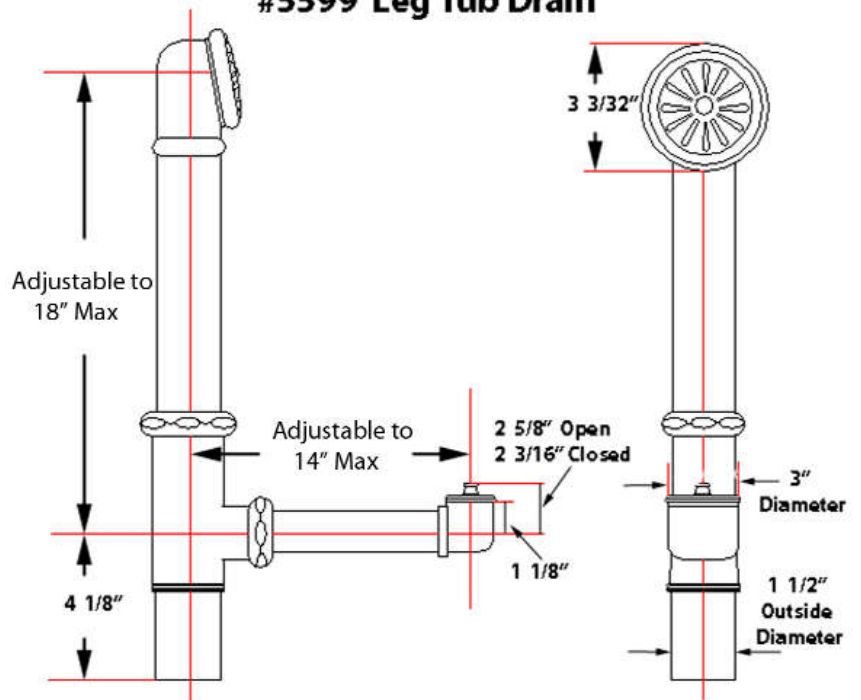
Features:

- ▶ Twist-and-lift stopper
- ▶ Includes deep escutcheon
- ▶ Height adjustable 15"-18"
- ▶ Depth adjustable 12"-14"
- ▶ Includes deep escutcheon
- ▶ IAPMO approved
- ▶ Available in 5 Finishes

Finishes:

- CP** Polished Chrome
- BP** Polished Brass
- SN** Brushed Nickel
- PN** Polished Nickel
- ORB** Oil Rubbed Bronze

#5599 Leg Tub Drain



Dimensions and specifications subject to change without notice.